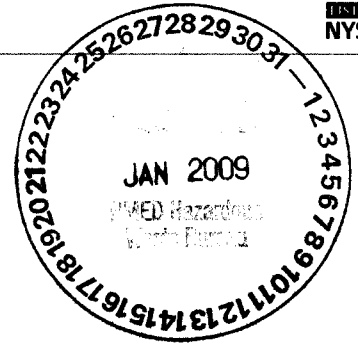




GALLUP REFINERY

WNR  
ESTD  
NYSE

Certified Mail 7008 2810 0000 4726 0539

January 26, 2009

Mr. Carl Chavez  
Oil Conservation Division  
Environmental Bureau  
1220 S. St. Francis Dr.  
Santa Fe, NM 87505

Re: OCD Discharge Permit GW-032, Permit Condition 24.A. and 24.B.

Dear Mr. Chavez:

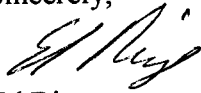
This letter is to update you regarding OCD Permit Condition 24.A. and 24.B. Gallup is proceeding with the new Pilot Travel Center lift station/underground line design you approved in the fourth quarter of 2008. As you requested, final design drawings are included in this package. The two new four inch underground sewer lines were installed and pressure tested in December 2008 to demonstrate mechanical integrity. Future testing will follow Permit Condition 12.A. test procedure and timeline for underground wastewater lines.

The existing line is still in use but a few piping modifications will be completed by March 1 allowing the wastewater to be transferred over to one of the new lines should a problem arise with the existing line. This will assure that after March 1, 2009 there will be no bypass to the evaporation pond.

The Pilot Lift Station is progressing but there is a delay on the equipment arrival. The Lakeside Strainers will arrive on-site the middle of April 2009, and will be the completing step in the commissioning process. Three to four weeks before the screens arrive on-site the lift station will begin construction. The lift station holding tank will be buried and a foundation will be constructed around the new sump. The next phase will include installation of the electrical and plumbing components. This process will be completed during the construction and completion of the enclosing structure. The final phase will include the installation of the process screens and processing the waste water received from the Pilot Travel Center. Western Refining is therefore requesting an extension from March 1, 2009 to June 13, 2009 to complete the entire project primarily due to equipment delivery delays.

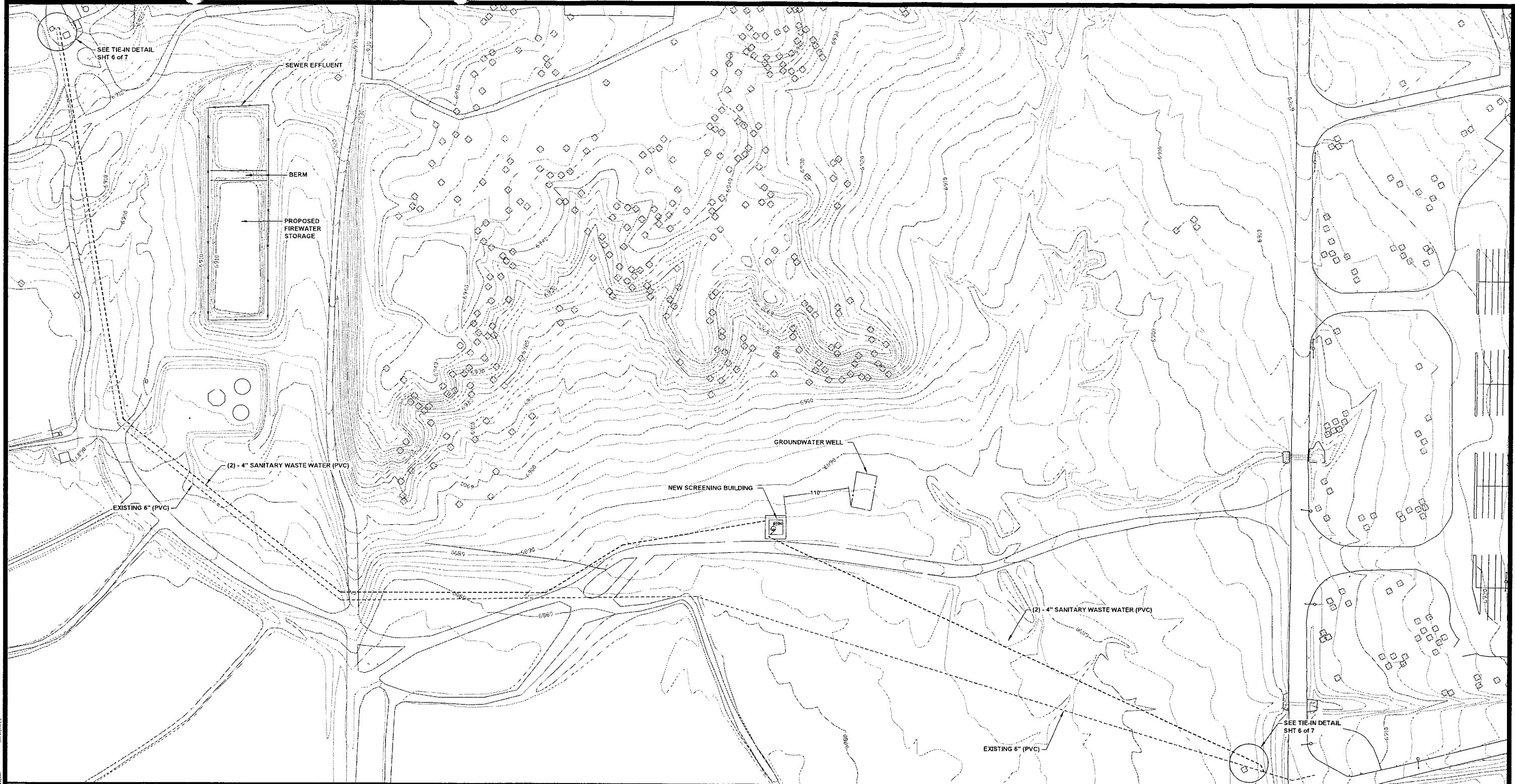
Your review and approval of this request are appreciated. Please contact me at (505) 722-0217 if you have any comments or questions regarding this submittal.

Sincerely,



Ed Riege  
Environmental Manager

C: Ms. Hope Monzeglio  
Mark Turri  
Don Riley  
Shane White  
Gaurav Rajen

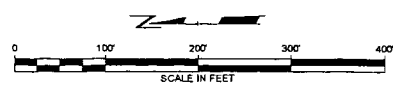


DATE: 1/13/08  
 DRAWN BY: S.A.  
 CHECKED BY: ELC  
 APPROVED BY: ELC  
 DATE: 1/13/08  
 PROJECT NO: 7788.08.01  
 FILE NO: 7788.08.01.dwg  
 SHEET: 1 of 8

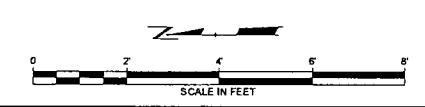
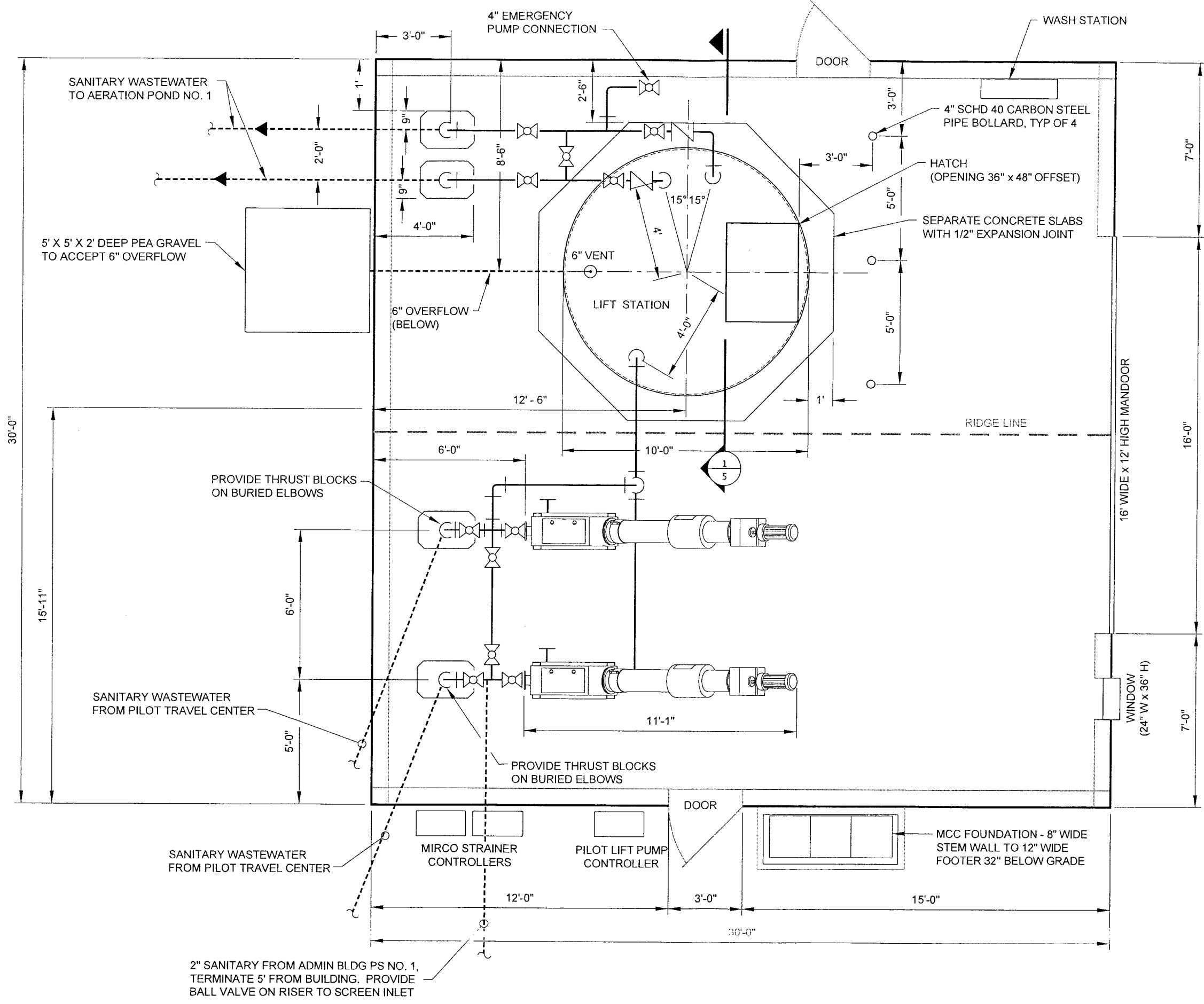
5.				
4.				
3.				
2.	S.J.L.	12-29-08	90% REVIEW	ELC
1.				
NO.	BY	DATE	REVISION	APPD.

**WESTERN REFINING - GALLUP REFINERY  
GALLUP, NEW MEXICO**

DRAWN BY: S.A.		DRAWING SCALE:	PROJECT NO: 7788.08.01
CHECKED BY: ELC		DATE SHOWN:	FILE NO: 7788.08.01.dwg
APPROVED BY: ELC		DATE PRINTED:	<b>Sheet 1 of 8</b>
DATE: January 2008			







5.				
4.				
3.				
2.				
1.	S.J.L.	12-29-08	90% REVIEW	ELC
NO.	BY	DATE	REVISION	APP'D.

**WESTERN REFINING - GALLUP REFINERY**  
GALLUP, NEW MEXICO

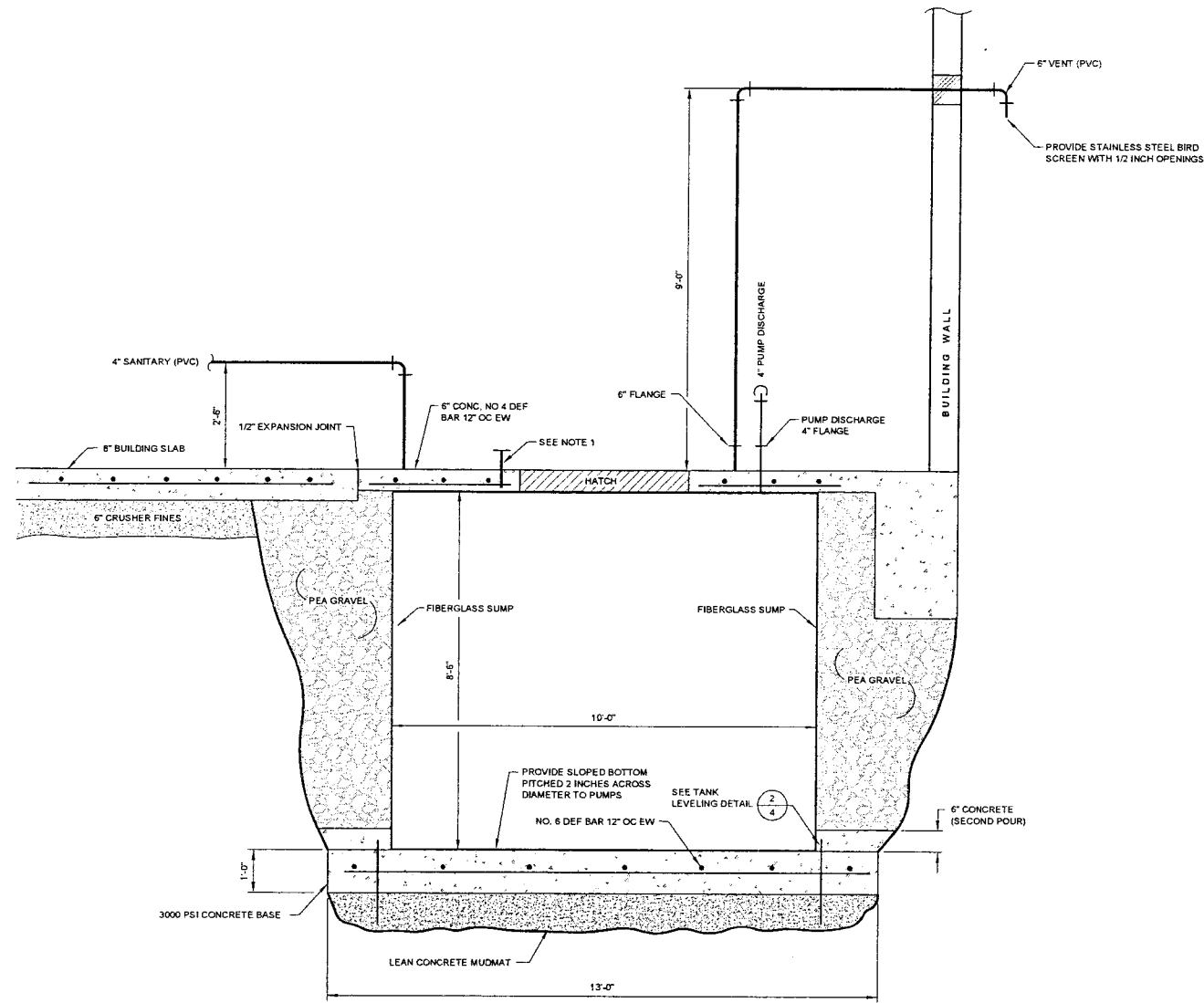
BUILDING PLAN AND SECTIONS

DRAWN BY:	S.A.	DRAWING SCALE:	PROJECT NO.:
CHECKED BY:	ELC	SHOWN:	FILE NO.:
APPROVED BY:	ELC	DATE PRINTED:	
DATE:	January 2009		

**Sheet 3 of 8**

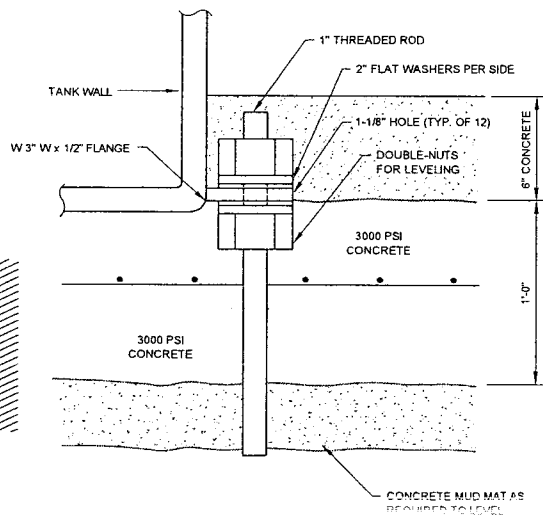
**RMT**  
3754 Ranchero Drive  
Ann Arbor, MI 48106-2237  
Phone: 734-971-7080 • Fax: 734-971-9022

RMT 2/2/09  
 Drawing Name: SAN LIFT STN  
 Drawing No: J10778B06  
 Date: January 13, 2009  
 Plot Date: January 13, 2009  
 Plot Time: 11:24 AM  
 User: S.J.L.  
 Plot Path: \\rmt\plotters\plotter1\p10778b06.dwg  
 Plot Device: HP DesignJet 5000 Series  
 Plot Scale: 1:1  
 Plot Size: 36" x 48"

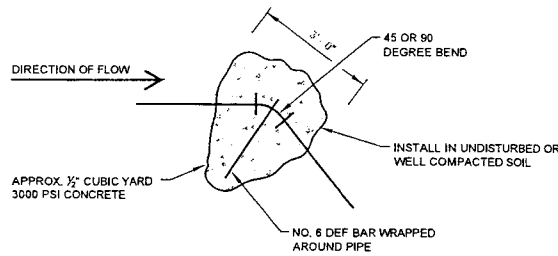


NOTES:  
1. ALL NOZZLES SHALL EXTEND 1'-0" ABOVE FIBERGLASS TOP.

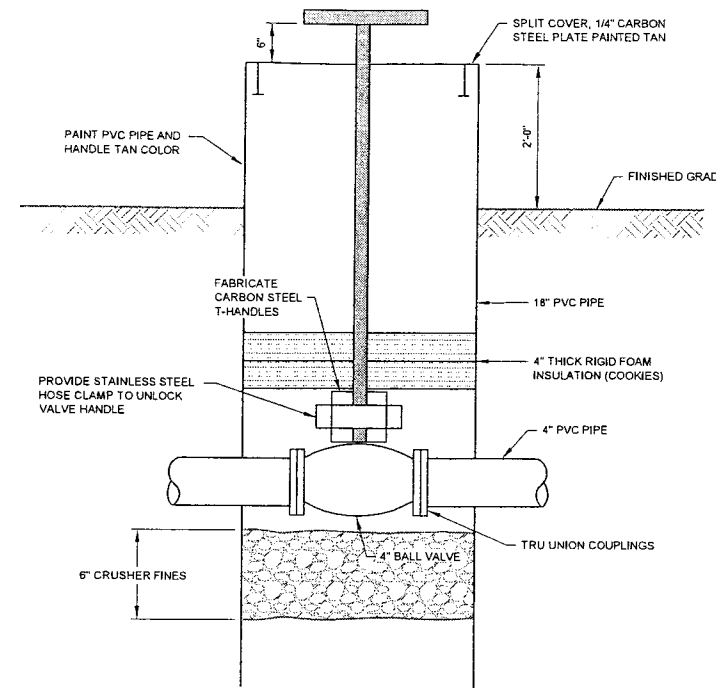
SECTION 1  
SCALE: 1/4" = 1'



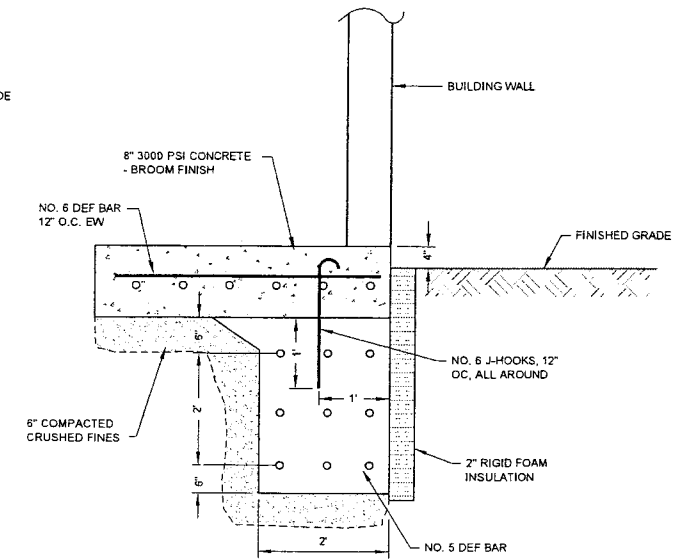
TANK LEVELING DETAIL  
NOT TO SCALE



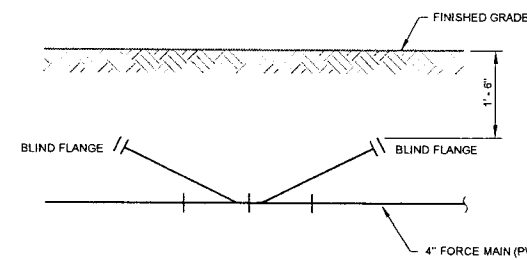
THRUST BLOCK  
NOT TO SCALE



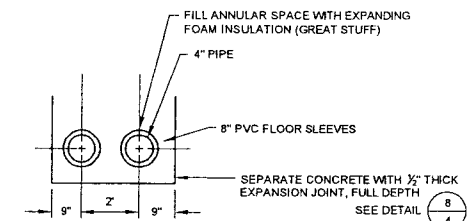
VALVE BOX  
NOT TO SCALE



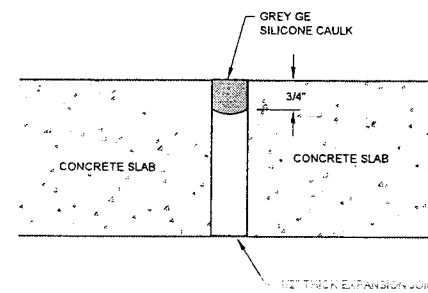
BUILDING FOUNDATION  
NOT TO SCALE



BI-DIRECTIONAL CLEANOUTS  
NOT TO SCALE



PIPE CHASE (PLAN VIEW)  
NOT TO SCALE



EXPANSION JOINT  
NOT TO SCALE

DWG NO. 210788007/0101-01-000  
 DATE: 12/29/08  
 DRAWN BY: S.J.L.  
 CHECKED BY: EC  
 APPROVED BY: EC  
 DATE: January 2009

5.				
4.				
3.				
2.				
1.	S.J.L.	12-29-08	90% REVIEW	ELC
NO.	BY	DATE	REVISION	APP'D.

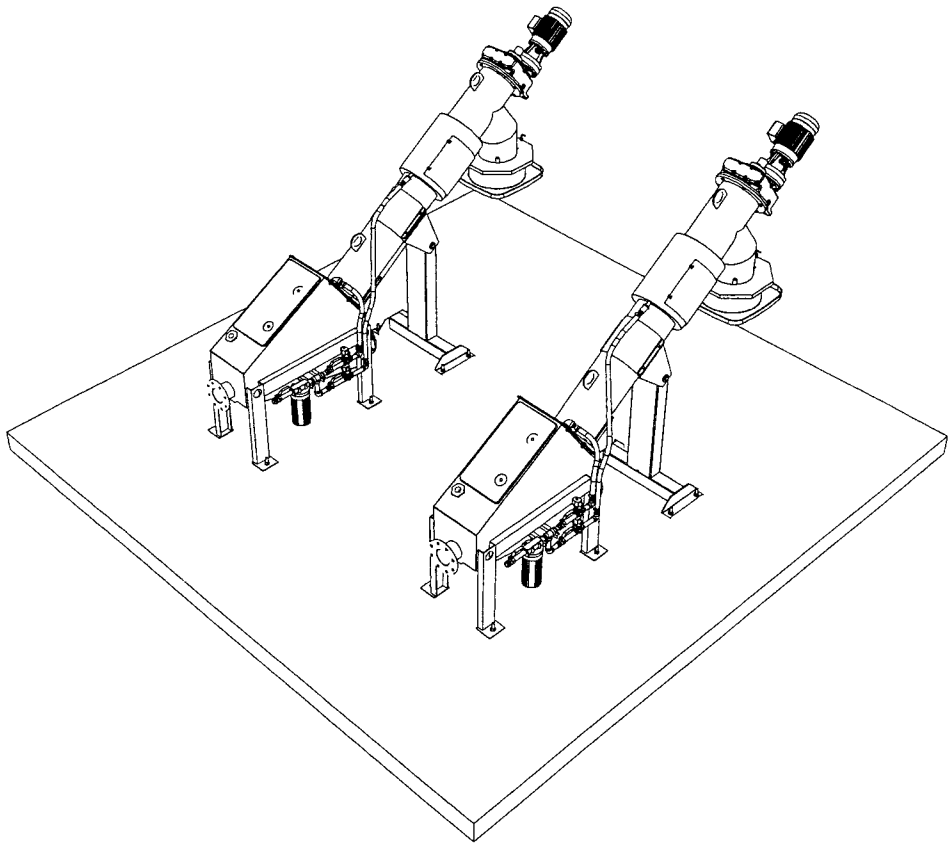
WESTERN REFINING - GALLUP REFINERY  
GALLUP, NEW MEXICO

DRAWN BY:	SL	DRAWING SCALE:	PROJECT NO.:	J10778R006
CHECKED BY:	EC	SHOWN:	FILE NO.:	7788.06.04.dwg
APPROVED BY:	EC	DATE PRINTED:	Sheet 4 of 8	
DATE:	January 2009			









1  
2

**BOLLARD DETAIL**

NOT TO SCALE

2  
8

**SCREEN PIPING**

NOT TO SCALE

FILE NAME: J:\17\1007\71616...  
Drawing File Name: 039643  
User Name: SAM LUCERO  
Date: January 13, 2009  
Time: 11:43 AM  
Plot Size: 11x17  
Plot Date: January 13, 2009  
Plot Time: 11:43 AM  
Drawing File Name: 039643  
User Name: SAM LUCERO  
Date: January 13, 2009  
Time: 11:43 AM  
Plot Size: 11x17  
Plot Date: January 13, 2009  
Plot Time: 11:43 AM

5.				
4.				
3.				
2.				
1.	SJL	12-29-08	80% REVIEW	ELC
NO.	BY	DATE	REVISION	APPD.
WESTERN REFINING - GALLUP REFINERY GALLUP, NEW MEXICO				
DETAILS				
DRAWN BY:	SL	DRAWING SCALE:	PROJECT NO:	J107788106
CHECKED BY:	EC	SHOWN:	FILE NO:	7788.06.07.dwg
APPROVED BY:	EC	DATE PRINTED:	<b>Sheet 8 of 8</b>	
DATE:	January 2009			
<b>RMT</b>		3754 Ranchero Drive Ann Arbor, MI 48106-2237 Phone 734-971-7080 • Fax 734-971-9022		